

Desktop 6D™

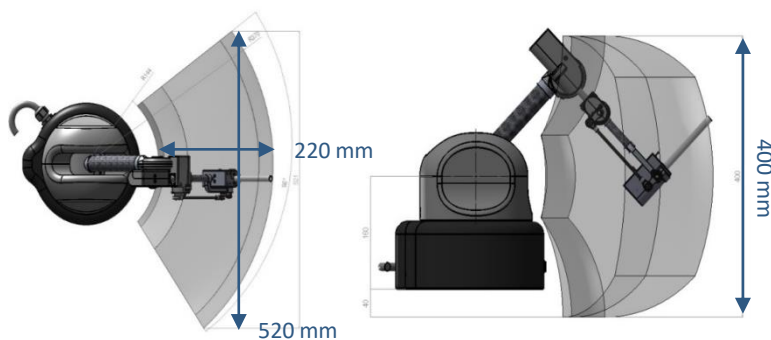
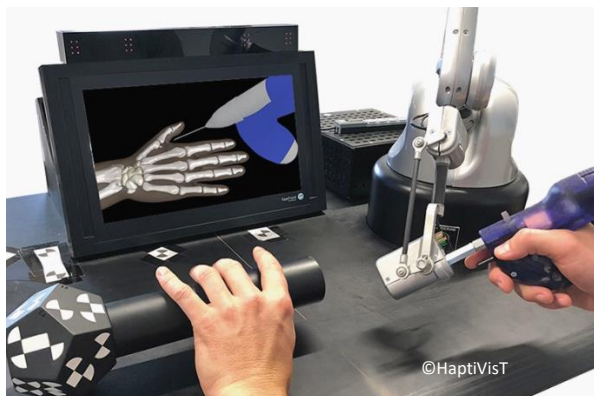
The Desktop 6D is a 6 active degrees-of-freedom haptic device. Its workspace and small footprint address it to an individual use, in front of a desktop screen, a HMD or inside a simulator.



- # Industrial training
- # Medical teleoperation
- # Medical training & simulation
- # Virtual Reality

6 ACTIVE DEGREES-OF-FREEDOM

- ✓ Passive weight balancing
- ✓ Ethernet/UDP communication system
- ✓ Easily removed handle: standard M6 connector
- ✓ Software interface:
 - ✓ Dedicated plug-ins for: 3DExperience™, Catia™ & Delmia™ V5, Solidworks™
 - ✓ Drivers (binary and/or source code) available for: Python™, ROS™, CHAI3D™, ODE™, Matlab Simulink™
 - ✓ By Partner: Unity3D™



MODULARITY

The user takes hold of the haptic device using a gripper or handle placed at the tip (called “end-effector”). The end-effector uses a M6 standard connector. It is easy to remove and replace, so that a frequent change of tool is possible, in order to customize the application and reinforce the sensation of immersion. The gripping tool is equipped with three push-buttons. One of the push-buttons is dedicated to the offset function, while the state of the other buttons can be accessed using the VIRTUOSE API.



TECHNICAL

| | |
|------------------------------------|-------------------------------|
| Translation workspace | 520 x 220 x 400 mm |
| Rotation Workspace | 270° x 120° x 250° |
| Payload (center of the workspace): | 20 N (peak)/ 7 N (continuous) |
| Rotation force: Peak, Continuous | 0.8 Nm, 0.2 Nm |
| Position resolution | 0.023 mm |
| Rotation resolution | 0.0023 ° |
| Device Weight | 3.6 kg |

ELECTRICAL

| | |
|--------------|----------------------------------|
| Power supply | 100-240 VAC 50/60Hz single phase |
| Consumption | Less than 200W |

SOFTWARE

| | |
|-------------------------------|----------|
| Maximum translation stiffness | 1000 N/m |
| Maximum rotation stiffness | 4 Nm/rad |
| Update Rate | 1000 Hz |

The Desktop 3D and Desktop 6D are also available upside-down. We are available to discuss with you any specific request for integration.

HAPTION S.A.

8 ZA Route de Laval – 53210 SOULGE SUR OUETTE – France
 Tel. +33(0)2 43 64 51 20 Fax. +33(0)2 43 64 51 21
 Email : contact@haption.com <https://www.haption.com>